

Qmotion®



Product Guide

Honeycomb Collection

Revised 5/9/16



Contact

Address:

QMotion
3400 Copter Road
Pensacola, FL 32514

Website:

www.QMotionShades.com

Email:

Questions/General Inquiries:
QMotionInfo@QMotionShades.com
Quotes and Orders
QMotionSales@QMotionShades.com

Phone:

Customer Service Number: 877.849.6070
Local Number: 850.208.3400
Fax: 850.208.3409

Social:

www.facebook.com/QMotionShades
www.twitter.com/QMotionShades
www.pinterest.com/QMotionShades
QMotionBlog.com

Online Service Center

www.QMotionShades.com


QMotion, a brand of Legrand, manufactures automated window coverings that are assembled in the United States and sold by a network of premium dealers and partners. QMotion's industry-leading product line includes motorized roller shades, honeycomb shades and motorized drapery rods, are safe by design with no cords and can help reduce energy costs. The Qadvanced Roller Shades and Honeycomb Shades are the only automated products on the market that feature a patented manual override.

QMotion has won a total of 17 awards in the last few years for its unsurpassed innovation.





Table of contents



A background image showing a close-up of window blinds. The blinds are partially open, revealing a bright light source. The word 'Qmotion' is overlaid vertically on the left side of the image in a large, stylized font. The 'Q' is purple, and the 'motion' is green.

Features.....	1
Unmatched Designs.....	2
Fabric Choices.....	3
Privacy and Light Control Options.....	4
Fabric Specifications.....	5
Stack Height.....	8
Range Expectations.....	9
Remote Control Options - Gen2.....	10
QMotion Wall Docking Stations.....	11
Remote Control Options - Gen3 & ZigBee HA1.2.....	12
Qadvanced with ZigBee HA1.2 Controls.....	13
Manual Override and Qconnect Features.....	14
Extend Your Range & Reception with Qrelay.....	15
QMotion Measurement Instructions.....	16
Order Form.....	18
Reference Information.....	20



Features

QMotion offers state-of-the-art natural light control with the following benefits:



Several different control options

- QMotion Honeycomb shades offer the convenience of moving the shade up or down, stopping at the top, the bottom, three or four programmable intermediate stops, or anywhere in between; all with the ease of a button press.
- *Lose your remote? No problem!* All Qadvanced Honeycomb shades are equipped with a patented manual override feature enabling customers to operate the shades to open or close by a slight tug of the hand without damage to the shade or motor.
 - With a slight tug to the hembar - less than 1", the shade opens to the next highest position.
 - With a little more tug of the hembar - between 1" - 2", the shade moves to the full open position.
 - Tug the shade down over 2" and the shade will remain in the position stopped.
 - Two successive tugs of more than 2" in 10 seconds will move the shade to full open position.
- *Interested in reducing your energy bills?* The programmable timer remote (Gen 2) can be set up to move your QMotion Honeycomb shade automatically. Automate your shades by time of day, day of week, sunrise, or sunset. Create six distinct settings and let the shades do the rest.

- *Want to control multiple shades with just one remote?* QMotion offers several remote controls, depending on the communications protocol you select for your shades. For Gen 2 shades, we offer the Multi Channel remote which can control 6 individual shades or 6 groups of shades all with one remote control. For Gen 3 and ZigBee HA1.2 shades, we offer the QdR Multi Channel Remote, which can control 5 individual shades or 5 groups of shades all with one remote control. All Multi Channel Remotes have an "All" Channel, which controls all shades programmed to the remote. Each channel can have an unlimited number of shades programmed to it.
- *Controlling QMotion Roller and Honeycomb shades?* QMotion remotes can control both Qadvanced Honeycomb and Roller shades with the same communications protocol. Move them together by putting them on the same channel, or separately using different controls or channels.

Unmatched quietness

- QMotion engineers developed a honeycomb shade with whisper quiet operation for a beautiful and peaceful experience, combined with excellent insulating benefits.





Unmatched Designs

QMotion delivers beautiful design options that compliment any room.

Distinctive designs

- Generous fabric collection of light filtering, decorative and beautiful blackout materials.
- Honeycomb construction provides superior insulation and energy efficiency.
- No visible cords or cord holes reduces light leaks and adds to the fashionable appeal.
- All QMotion Honeycomb shades, both manual and automated, are cord-less, offering aesthetic and safety benefits as a standard.
- Fabric available in wide widths to cover large expansive windows with no seams or overlap.
- Neutral white backing provides a uniform appearance to the outside of the home.
- Multiple design options and operating systems available to provide the perfect solution for the single home-owner to the busiest family.
- Wide range of decorative styles, including soft solids and bold prints, make for a gorgeous collection.
- Integrated light blocking wool pile for inside mount shades.
- Industry leading 5/16" light gaps on each side of the shade.



Upgradeable from Manual to Automated

- Qfree, or manual, Honeycomb shades can be easily upgraded to Qadvanced, or automated, at any time.





Fabric Choices

QMotion Honeycomb Shades allow for a customized experience.

The honeycomb collection features beautiful, high-quality fabrics that add warmth and a designer style to your home's décor.

- For deep, vibrant and consistent color in a woven fabric, choose the 3/4" Woven, in a translucent or blackout.
- Choose one of the 3/4" rich colors for a luxuriously soft fabric for your window.
- Consider the 3/4" Sheer or Semi-Sheer fabric selection for a fresh look and open view to the outside.
- Popular 3/4" Textured or Classic fabrics come in translucent or blackout.
- Double Cell Texture and Classic colors are available in translucent or blackout.

Honeycomb shades add style and refinement to any energy-conscious home and can be integrated with leading automation systems. Honeycomb shades are among the most energy-efficient window coverings available. The insular property of honeycomb fabric is attributed to its unique cellular construction creating a barrier of chamber designed to reduce heat and the damaging effects of UV light.

Over 120 fabrics are available in widths to cover large expansive windows with no seams or overlap, up to 120" width. Honeycomb shades are available in four fabric types; sheer, semi-sheer, semi-transparent, and room darkening. Each offers a different degree of privacy and light control. Sheer and semi-sheer fabrics transmit light with view through the shade, and do not provide privacy. Semi-transparent fabrics transmit filtered light with no view through the shade, providing moderate privacy. Room darkening fabrics block up to 99% of outside light, providing maximum privacy and light control.



QMotion Honeycomb shades allow home owners to manage natural and man-made light with exquisite ease - at the touch of a button or with a gentle tug of your hand. Our honeycomb shade headrails are slim and unobtrusive. This makes our motorized systems more attractive, with no external wires to hide.

Shade Sizes

Dimension	Measurement in Inches
Minimum Width	20"
Minimum Height	20"
Maximum Width	120"
Maximum Height	96"



Privacy and Light Control Options

QMotion Honeycomb shades give you the flexibility you desire.

QMotion offers 4 types of honeycomb fabric: sheer, semi-sheer, translucent, and room darkening. Each offers a different degree of privacy and light control.

Sheer and Semi-Sheer Fabrics

- Transmit light with view through the shade
- Do not provide privacy
- Available in 3/4" Single Cell Fabrics

Translucent Fabrics

- Transmit filtered light with no view through the shade
- Provide moderate privacy
- Available in 3/4" Single Cell and Double Cell fabrics



Room Darkening Fabrics

- Blocks 99% of outside light
- Provides maximum privacy and light control
- Available in 3/4" Single Cell and Double Cell fabrics

Energy Efficiency

- Honeycomb shades are among the most energy-efficient window coverings available. The insular property of honeycomb fabric is attributed to its unique cellular construction creating a barrier of chambers designed to reduce heat and the damaging effects of UV light.

Customization that's right for you

- Choose from our assortment of remote controls. Among the choices is our programmable timer control (Gen 2 only) which allows for setting of times for unattended shade movement or our multichannel remote to control various shade groupd from a single hand-held transmitter. All transmitters fit on our magnetic wall docking stations, and may be secured in place using our wall station adapter.
- As our programming is simple, all shades arrive ready to "learn" to your remotes. A shade may be controlled by as many as 12 different transmitters.
- Qadvanced Honeycomb Shades can use the same remotes as Qadvanced Roller shades, providing unique control options.
- Combine groups and transmitters for your convenience. A channel can be for a single shade or a group of shades, and various groups can be programmed to suit the space.



Fabric Selections

(Charts on the following 3 pages):

Color Name	Fabric Family	Fabric Type	Part #	Coordinated End Cap/Rail Color	Price Chart
Canyon	T04	Double Cell Translucent	82T0013	Chestnut Brown	C
Cloud	T04	Double Cell Translucent	82T0014	Brilliant White	C
Pearl	T04	Double Cell Translucent	82T0015	Linen White	C
Sunset	T04	Double Cell Translucent	82T0016	Jasmine	C
Maize	T04	Double Cell Translucent	82T0017	Cashmere	C
Leather	T04	Double Cell Translucent	82T0018	Cashmere	C
Fresh Air	T04	Double Cell Translucent	82T0019	Linen White	C
Tiger's Eye	T04	Double Cell Translucent	82T0020	Jasmine	C
Mint	T05	3/4" Translucent	82T0021	Linen White	A
Cloud	T05	3/4" Translucent	82T0022	Brilliant White	A
Desert Sand	T05	3/4" Translucent	82T0023	Cashmere	A
Pearl	T05	3/4" Translucent	82T0024	Linen White	A
Eggshell	T05	3/4" Translucent	82T0025	Linen White	A
Banana Pudding	T05	3/4" Translucent	82T0026	Cashmere	A
Leather	T05	3/4" Translucent	82T0027	Cashmere	A
Spring Green	T05	3/4" Translucent	82T0028	Linen White	A
Silver	T05	3/4" Translucent	82T0029	Ash Gray	A
Mercury	T05	3/4" Translucent	82T0030	Ash Gray	A
Cottage White	T05	3/4" Translucent	82T0031	Linen White	A
Citrine	T05	3/4" Translucent	82T0032	Jasmine	A
Marble	T08	3/4" Room Darkening	82T0033	Brilliant White	D
Canvas	T08	3/4" Room Darkening	82T0034	Jasmine	D
Haystack	T08	3/4" Room Darkening	82T0035	Cashmere	D
Asparagus	T08	3/4" Room Darkening	82T0036	Linen White	D
Bronze	T08	3/4" Room Darkening	82T0037	Cashmere	D
Brick	T08	3/4" Room Darkening	82T0038	Terra Cotta	D
Ash	T08	3/4" Room Darkening	82T0039	Cashmere	D
Milk	T08	3/4" Room Darkening	82T0040	Brilliant White	D
Oyster	T08	3/4" Room Darkening	82T0041	Cashmere	D
French Roast	T08	3/4" Room Darkening	82T0042	Chestnut Brown	D
Coal	T08	3/4" Room Darkening	82T0043	Midnight Black	D
Shamrock	T08	3/4" Room Darkening	82T0044	Linen White	D
Marble	T23	Double Cell Room Darkening	82T0045	Linen White	D
Gold	T23	Double Cell Room Darkening	82T0046	Jasmine	D
Haystack	T23	Double Cell Room Darkening	82T0047	Cashmere	D
Brick	T23	Double Cell Room Darkening	82T0048	Terra Cotta	D
Milk	T23	Double Cell Room Darkening	82T0049	Brilliant White	D
Bone	T23	Double Cell Room Darkening	82T0050	Cashmere	D
French Roast	T23	Double Cell Room Darkening	82T0051	Chestnut Brown	D
Shamrock	T23	Double Cell Room Darkening	82T0052	Linen White	D
Tusk	D06	3/4" Semi Sheer	82T0061	Jasmine	F
Veil White	D06	3/4" Semi Sheer	82T0062	Brilliant White	F
Floral White	D06	3/4" Semi Sheer	82T0063	Brilliant White	F
Champagne	D06	3/4" Semi Sheer	82T0064	Cashmere	F
Cornflower	D08	3/4" Sheer	82T0065	Periwinkle	F
Snowflake	D08	3/4" Sheer	82T0066	Brilliant White	F



Fabric Selections

Old Lace	D08	3/4" Sheer	82T0067	Linen White	F
Corn Silk	D08	3/4" Sheer	82T0068	Cashmere	F
Morning Dew	D08	3/4" Sheer	82T0069	Linen White	F
Licorice	D09	3/4" Sheer	82T0070	Midnight Black	F
Sugar	F15	Double Cell Translucent	82T0071	Brilliant White	E
Pistachio	F15	Double Cell Translucent	82T0072	Linen White	E
Sunglow	F15	Double Cell Translucent	82T0073	Jasmine	E
Seagull	F15	Double Cell Translucent	82T0074	Linen White	E
Russet	F15	Double Cell Translucent	82T0075	Cashmere	E
Caribbean	F15	Double Cell Translucent	82T0076	Periwinkle	E
Wheat	F15	Double Cell Translucent	82T0077	Jasmine	E
Quartz	F15	Double Cell Translucent	82T0078	Linen White	E
Cotton	F15	Double Cell Translucent	82T0079	Brilliant White	E
Vanilla	F15	Double Cell Translucent	82T0080	Cashmere	E
Sugar	F16	3/4" Translucent	82T0081	Brilliant White	B
Tumbleweed	F16	3/4" Translucent	82T0082	Cashmere	B
Sunglow	F16	3/4" Translucent	82T0083	Jasmine	B
Burnt Umber	F16	3/4" Translucent	82T0084	Cashmere	B
Toasted Pecan	F16	3/4" Translucent	82T0085	Cashmere	B
Russet	F16	3/4" Translucent	82T0086	Cashmere	B
Sepia	F16	3/4" Translucent	82T0087	Chestnut Brown	B
Olive	F16	3/4" Translucent	82T0088	Linen White	B
Saddle	F16	3/4" Translucent	82T0089	Cashmere	B
Wheat	F16	3/4" Translucent	82T0090	Jasmine	B
Cotton	F16	3/4" Translucent	82T0091	Brilliant White	B
Vanilla	F16	3/4" Translucent	82T0092	Cashmere	B
Marsh	F16	3/4" Translucent Print	82T0093	Cashmere	B
Windsong	F16	3/4" Translucent Print	82T0094	Jasmine	B
Khaki	F16	3/4" Translucent Print	82T0095	Cashmere	B
Bonfire	F16	3/4" Translucent Print	82T0096	Terra Cotta	B
Sapphire	F17	3/4" Room Darkening	82T0097	Linen White	D
Amethyst	F17	3/4" Room Darkening	82T0098	Linen White	D
Ghost	F17	3/4" Room Darkening	82T0099	Brilliant White	D
Tumbleweed	F17	3/4" Room Darkening	82T0100	Jasmine	D
Sunglow	F17	3/4" Room Darkening	82T0101	Jasmine	D
Sepia	F17	3/4" Room Darkening	82T0102	Chestnut Brown	D
Olive	F17	3/4" Room Darkening	82T0103	Cashmere	D
Steel Blue	F17	3/4" Room Darkening	82T0104	Periwinkle	D
Downy	F17	3/4" Room Darkening	82T0105	Cashmere	D
Cotton	F17	3/4" Room Darkening	82T0106	Linen White	D
Iceberg	F17	3/4" Room Darkening	82T0107	Periwinkle	D
Vanilla	F17	3/4" Room Darkening	82T0108	Cashmere	D
Star Dust	F25	Double Cell Tusco	82T0109	Brilliant White	C
Pina Colada	F25	Double Cell Tusco	82T0110	Linen White	C
Opal	F25	Double Cell Tusco	82T0111	Linen White	C
Lion's Mane	F25	Double Cell Tusco	82T0112	Jasmine	C
Seaweed	F25	Double Cell Tusco	82T0113	Cashmere	C



Fabric Selections

Summer Field	F25	Double Cell Tusco	82T0114	Cashmere	C
Tuscan Red	F25	Double Cell Tusco	82T0115	Terra Cotta	C
Denim	F25	Double Cell Tusco	82T0116	Periwinkle	C
Star Dust	F26	3/4" Translucent Tusco	82T0117	Brilliant White	A
Pina Colada	F26	3/4" Translucent Tusco	82T0118	Linen White	A
Opal	F26	3/4" Translucent Tusco	82T0119	Cashmere	A
Lion's Mane	F26	3/4" Translucent Tusco	82T0120	Jasmine	A
Seaweed	F26	3/4" Translucent Tusco	82T0121	Cashmere	A
Summer Field	F26	3/4" Translucent Tusco	82T0122	Cashmere	A
Tuscan Red	F26	3/4" Translucent Tusco	82T0123	Terra Cotta	A
Denim	F26	3/4" Translucent Tusco	82T0124	Periwinkle	A
Star Dust	F27	3/4" Room Darkening Tusco	82T0125	Brilliant White	C
Pina Colada	F27	3/4" Room Darkening Tusco	82T0126	Linen White	C
Opal	F27	3/4" Room Darkening Tusco	82T0127	Linen White	C
Lion's Mane	F27	3/4" Room Darkening Tusco	82T0128	Jasmine	C
Seaweed	F27	3/4" Room Darkening Tusco	82T0129	Cashmere	C
Summer Field	F27	3/4" Room Darkening Tusco	82T0130	Jasmine	C
Tuscan Red	F27	3/4" Room Darkening Tusco	82T0131	Terra Cotta	C
Denim	F27	3/4" Room Darkening Tusco	82T0132	Periwinkle	C
Rain Drop	G03	3/4" Woven Translucent	82T0133	Periwinkle	G
Autumn	G03	3/4" Woven Translucent	82T0134	Terra Cotta	G
Castle Stone	G03	3/4" Woven Translucent	82T0135	Cashmere	G
Cotton	G03	3/4" Woven Translucent	82T0136	Brilliant White	G
Crème Brulee	G03	3/4" Woven Translucent	82T0137	Jasmine	G
Vanilla	G03	3/4" Woven Translucent	82T0138	Cashmere	G
Majestic Violet	G04	3/4" Woven Room Darkening	82T0139	Linen White	G
Platinum	G04	3/4" Woven Room Darkening	82T0140	Ash Gray	G
Gold Rush	G04	3/4" Woven Room Darkening	82T0141	Jasmine	G
Bonsai	G04	3/4" Woven Room Darkening	82T0142	Linen White	G
Cotton	G04	3/4" Woven Room Darkening	82T0143	Brilliant White	G
Crème Brulee	G04	3/4" Woven Room Darkening	82T0144	Jasmine	G
Amber Wave	H20	3/4" Translucent	82T0145	Linen White	F
Cotton	H20	3/4" Translucent	82T0146	Brilliant White	F
Crème Brulee	H20	3/4" Translucent	82T0147	Jasmine	F
Vanilla	H20	3/4" Translucent	82T0148	Cashmere	F



Stack Height

Drop refers to shade fully extended. Stack refers to shade fully raised. Measurements include headrail and bottom rail.

D06

DROP	24"	48"	72"	96"
STACK	3 1/8"	4 1/8"	4 1/8"	3 1/8"

60B, 60A

DROP	24"	48"	72"	96"
STACK	3 1/4"	3 1/2"	3 3/4"	4"

D08, D09

DROP	24"	48"	72"	96"
STACK	3 1/4"	3 3/8"	3 1/2"	3 3/8"

T04

DROP	24"	48"	72"	96"
STACK	4 1/8"	5"	6"	6 7/8"

F15, F25

DROP	24"	48"	72"	96"
STACK	3 1/8"	3 1/2"	3 7/8"	4 1/4"

T05

DROP	24"	48"	72"	96"
STACK	3 1/4"	3 7/8"	4 1/2"	5 1/8"

F16, F26

DROP	24"	48"	72"	96"
STACK	2 3/4"	3 1/8"	3 3/8"	3 3/4"

T08

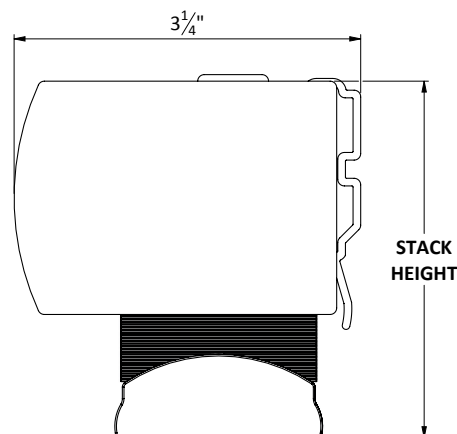
DROP	24"	48"	72"	96"
STACK	3 3/4"	4 3/8"	5"	5 1/8"

F17, F27, H20

DROP	24"	48"	72"	96"
STACK	3"	3 3/8"	3 3/4"	4 1/8"

T23

DROP	24"	48"	72"	96"
STACK	4 1/8"	5 1/2"	6 1/2"	7 3/8"





Range Expectations

Distance from shade to be controlled

QMotion transmitters are expected to work from over 30 feet away. While your individual results will vary, and may be less in some environments, many customers have reported even better results.

The QMotion Timer Remote is a special function device and under FCC guidelines may not transmit at the same power as others. Range for this is typically over 10 feet. We recommend the use of a Qrelay, or Range Extender when the transmission range of a device is not sufficient (application dependent).

Transmitter	Normal (ft)
Single Channel	50 - 100
Multi Channel	30 - 80
USB Timer	20 - 50
Qconnect	50 - 100
Qrelay	30 - 100
Qsync	75 - 100
QdR Remotes	30 - 50
Range Extender	30 - 50
Qube	30 - 50

****Remember each installation is unique, height of the window, interference and other factors may effect this expectation.****



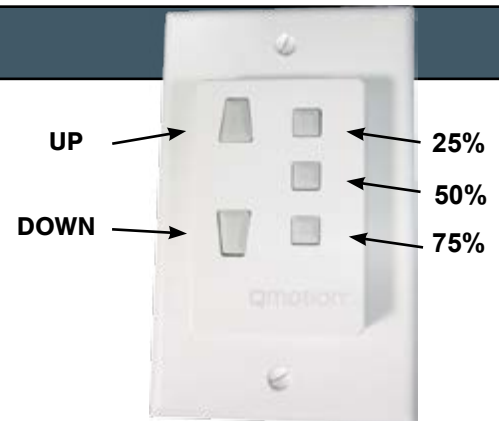


Remote Control Options - Gen 2

The range of remote control of a shade is dependent on type of controller, type of shade, bracket, fascia and installation environment. Individual results may vary, and may be less in some environments due to obstructions in the path of the signal, such as walls, appliances, and/or electromagnetic interference from other electronic devices. Many customers have reported even better results. The remote control options shown on this page work with the Qadvanced Gen 2 motorized shades only.

QMotion Single Channel 5 Button Remote

- 5 buttons to support up, down, 25% 50%, 75%
- Magnetic back for simple storing to wall plates
- Controls unlimited number of shades in a group
- Normal remote range: 50-100 feet



QMotion Programmable Timer Remote

- Program automated settings in addition to the single channel 5 button remote controls
- Low transmission power, must locate close to shades or Qrelay
- Supports as many as 6 events
- Windows PC programmable only
- Time of day, days of week, sunrise/sunset settings
- Normal remote range: 20-50 feet



QMotion Multichannel Remote

- Up to 6 individual or group settings, unlimited number of shades per group
- All shades programmed to a multichannel remote are controlled together with an "ALL" button on same remote
- Supports up, down, 25%, 50%, 75% actions
- LED light feedback
- Motion activated zone indicated when remote is tapped or moved
- Normal remote range: 30-80 feet





QMotion Wall Docking Station

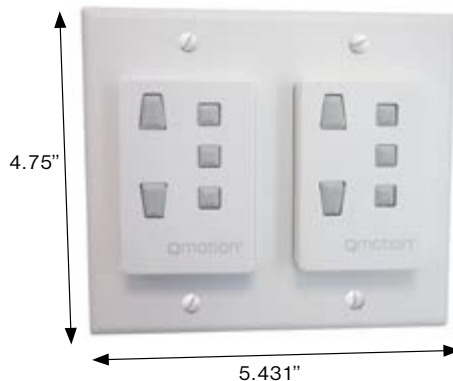
For the convenience of the user, consider QMotion Wall Docking Stations. Available in Single, Double or Triple gang versions. These wall plates are built to install on a wall as a place to retain the transmitters used in a project. Remote controls hold in place on the Docking Station via a strong magnet, and allow the remote controls to be used as a wall switch for a third level of control for the shades. Wall plates are flush mounted and do not require routing a hole in drywall or other mounting wall finishes. For public spaces, or other places where a remote should be “permanently” attached to a wall, our Wall Station Adaptors mount around the remotes, making them virtually impossible to remove without a screwdriver.



Single Wall Station



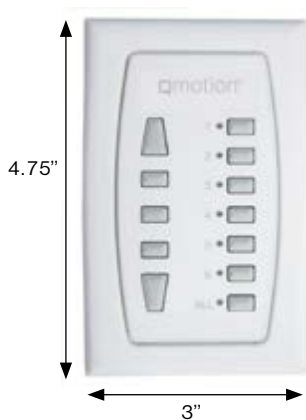
Double Wall Station



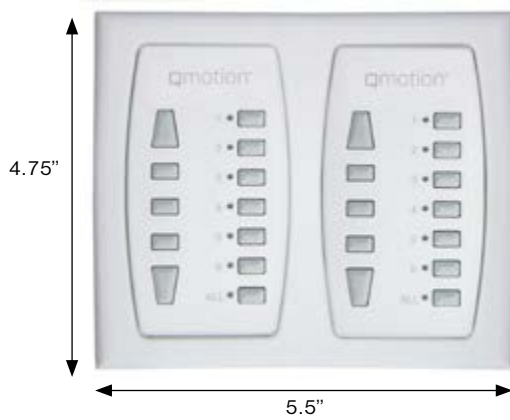
Triple Wall Station



Multichannel-Single



Multichannel-Double



Wall Station Adaptors





Remote Control Options - Gen 3 & ZigBee HA1.2

The range of remote control of a shade is dependent on type of controller, type of shade, bracket, fascia, and installation environment. Individual results may vary, and may be less in some environments due to obstructions in the path of the signal, such as walls, appliances, and/or electromagnetic interference from other electronic devices, many customers have reported even better results.

QMotion QdR Remote for Gen 3 Roller Shades and Honeycomb Shades

The new QdR remote for Gen 3 shades is designed to be more sleek and user friendly. Each remote comes with 6 buttons to support Up, Down and preset positions 20%, 40%, 60%, 80%. The preset positions may be customized. Magnetic back for simple storing in wall plates. The remote controls unlimited number of shades in a group with a range of 30' to 50'. The Gen 3 remote may be used with Qrelay to extend the range. Normal remote range: 30'-50'



Single Channel

- All shades programmed to the remote act in sync when button is pressed.
- Ideal for rooms with children or guests who may be unfamiliar with the remote and won't accidentally change the channel on the remote.



Multi Channel

- Up to 5 individual or group settings, unlimited number of shades per group.
- All shades programmed to a multi channel remote are controlled together with an "All" channel.
- Motion activated channel indicator when remote is tapped or moved.

Please refer to programming instructions for details on pairing and adding shades, customizing preset positions, and programming to channels.

QdR Remote for ZigBee HA1.2 Roller Shades and Honeycomb Shades

- 6 buttons to support Up, Down and preset positions 20%, 40%, 60%, 80%.
- Requires the Qube coordinator device for interfacing with most ZigBee HA1.2 systems.
- Preset positions may be customized
- Magnetic back for simple storing in wall plates
- Controls unlimited number of shades in a group
- Up to 5 individual or group settings, unlimited number of shades per group
- All shades programmed to a multi channel remote are controlled together with an "All" channel
- Normal remote range: 30'-50'
- May be used with Range Extenders for ZigBee HA1.2 for extending range or for Stand-Alone installations (shades controlled by a remote not on a network)



QdR Remotes for Qadvanced with ZigBee HA1.2 shades available as a Multi Channel Remote only.

Please refer to programming instructions for details on setting up the ZigBee HA1.2 automation system with Qube coordinator, Range Extender, pairing and adding shades, customizing preset positions, and programming to channels.



Qadvanced with ZigBee HA1.2 Controls

The ZigBee network is a self-healing mesh network that operates on 2.4 ghz. Self-healing means that if there is a weakness in the network, the signal will find a new path. Within this network, you will have devices that can either repeat a signal or be an end device. The QMotion Qube and Range Extender are considered “repeat” devices, and QMotion Qadvanced shades are considered “end” devices.

Qadvanced with ZigBee HA1.2 shades work on a ZigBee mesh network and require the Qube coordinator for interfacing with most smart home automation system networks. The Qadvanced with ZigBee HA1.2 in a stand-alone environment require a Range Extender to interface with the QdR remote; the Qube may be used in a stand-alone system, but is not required.

Qube Coordinator

- Controls Qadvanced with ZigBee HA1.2 roller and honeycomb shades.
- Supports up to 32 devices per Qube, or 60 devices maximum per ZigBee HA1.2 network if using Range Extenders. Devices are defined as Qadvanced shades and QdR remotes.
- Qube without Range Extender supports any combination of 32 shades and remotes.
- Qube with Range Extender - a Range Extender takes up one of the 32 positions; 2 range extenders = 2 positions.
- Qube must be plugged into a local WiFi router for programming, using the QMotion app with the Qube, and controlling the shades.
- Once programmed on the Qube coordinator with your smart device and our app, shades can be controlled with your smart device on any WiFi network through the cloud. Now you can control your shades from almost anywhere!



2"x2"x1"
Dimensions

Range Extender

The QMotion Range Extender may be used to not only extend the range for remote control it also can be used for stand-alone control for ZigBee HA1.2 2-way communication without integrating to a smart home automation system. Each installation environment is unique and other devices in the room or building may have an effect on the transmission range of remotes. In some cases, a Range Extender may help in improving the signal reception. As an example, if a room is over 12' x 12' or a shade is 30' or more away from where it will be controlled, the Range Extender is recommended.

- Extends Range for QdR Remote with ZigBee HA1.2 and Qube coordinator.
- May extend the QdR Remote range 30'-50'.
- Works with Qadvanced with ZigBee HA1.2 roller and honeycomb shades.
- Use as many as required in an installation (refer to limits when used with Qube).



2"x2"x1"
Dimensions



Manual Override & Qconnect Features

Manual Override

QMotion Shades incorporate patented and unique tug features that allow the shade to open with just a short tug, or be lowered without the remote.

Tug the bottom rail less than 1”

- Shade opens to next highest preset position (example: shade moves from 75% to 50%)

Tug the bottom rail downward between 1” - 2”

- Shade moves to full open

Tug the bottom rail MORE than 2”

- Shade remains at position stopped until pulled or sent up with a remote

Two successive tugs MORE than 2” in 10 seconds

- Shade moves to full open



QMotion Qconnect

The Qconnect Interface is a bridge between our shades and most building or home automation systems. With drivers for many popular systems, and easy programming tools, clients can easily drive QMotion Qadvanced Gen 2 Automated shades with their new or existing automation systems. Please contact CSR for latest list of automation system interfaces.

- RS-232 serial
- RS-485 serial
- Dry contact interface
- 15 channels
- 9v DC power supply
- CAT 5 capable (Requires injector switch-QMotion does not sell)
- Desk or wall mountable
- 4,000 foot wiring range
- Normal remote range: 50-100 feet

Qconnect is compatible with:





Extend Your Range and Reception With Qrelay

QMotion Qrelay

Each installation is different, and environmental factors may have an effect on transmission. In some cases, a Qrelay may be helpful in improving signal reception for Gen 2 or Gen 3 Qadvanced shades. To consider in advance, if a room is over 12'x12', or a shade is 30' from where it would be controlled, the Qrelay is recommended. As these dimensions increase, the Qrelay will become increasingly helpful, and spaces significantly larger may even benefit from more than one Qrelay.

- Extends range of all QMotion remotes
- Use as many as required in an installation (no limits)
- Powered from a wall outlet or from a powered USB port
- Two modes of operation "Zone Specific" and "Echo"
 - Zone specific mode allows individual remotes to be learned to the repeater
 - Echo mode repeats all valid QMotion remote commands
- Normal remote range: 30 -100 feet. We recommend a Qrelay every 60 feet for maximum efficiency where Qrelays are necessary. Not recommended for use with daisy chained Qconnects.
- Not recommended for placement behind large electronic devices.



QMotion App and Qsync

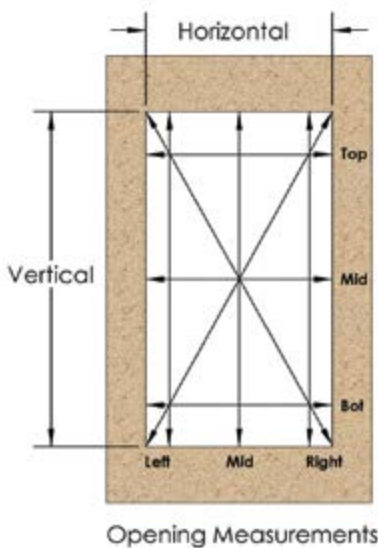
QMotion Smartphone Application "App" Features:

- Control QMotion shades with iOS and Android mobile devices
- Virtual Shade: Drag your finger to place the shade to the desired positions
- "Plug and Play" - Easy Setup
- Channel System to name, take and set reference photo to group shades and create "scenes"
- Step by Step setup for learning, setting lower limit, and deleting shades
- Control nearly 500 groups or unlimited number of shades per group from each Qsync
- TCP/IP to 433Mhz bridge
- Set up once and settings sync to other smartphones and tablets on the network
- **Must Have Qsync Control Unit**
- The QMotion app is available on Gen 2 or Gen 3 automated shades. Due to the difference in the proprietary protocol, the Qsync device is different for Gen 2 and Gen 3 shade control.





QMotion Measurement Instructions



Inside Mount



Outside Mount



Measure and assess area to be covered:

- Measure opening to be covered vertically and horizontally in three places.
- If vertical measurements vary more than $\frac{1}{2}$ " , an outside mount is recommended.
- If horizontal measurements vary more than $\frac{1}{2}$ " , an outside mount is recommended.
- Measure and compare diagonals to determine if opening is square.
- If corner to corner diagonal measurements vary more than $\frac{1}{2}$ " , an outside mount is recommended.
- Use a level to determine if opening is plumb and square.
- If out of square or out of plumb by more than $\frac{1}{2}$ " , an outside mount is recommended.
- If header depth is less than $1 \frac{1}{2}$ " , an outside mount is required.

Measurement rules:

- Measure all windows, even if they appear to be the same size.
- Round all width measurements to the nearest $\frac{1}{16}$ " . On inside mount applications, round down.
- Round all height measurements up to the nearest 1" .

Considerations:

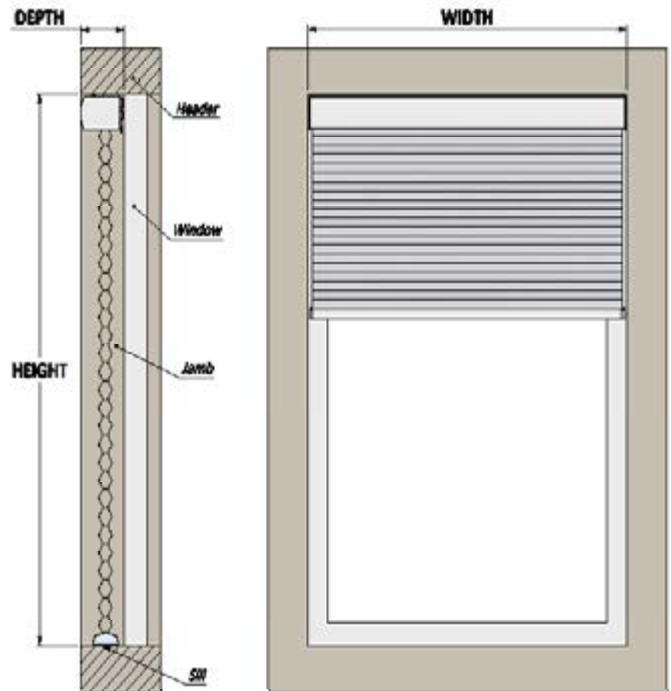
- There must be significant support structure to hold the shade, i.e. wood, concrete, anchored drywall, etc.
- For drywall you may use heavy duty auger style drywall anchors rated sufficient for the weight of the shade.



QMotion Measurement Instructions (cont.)

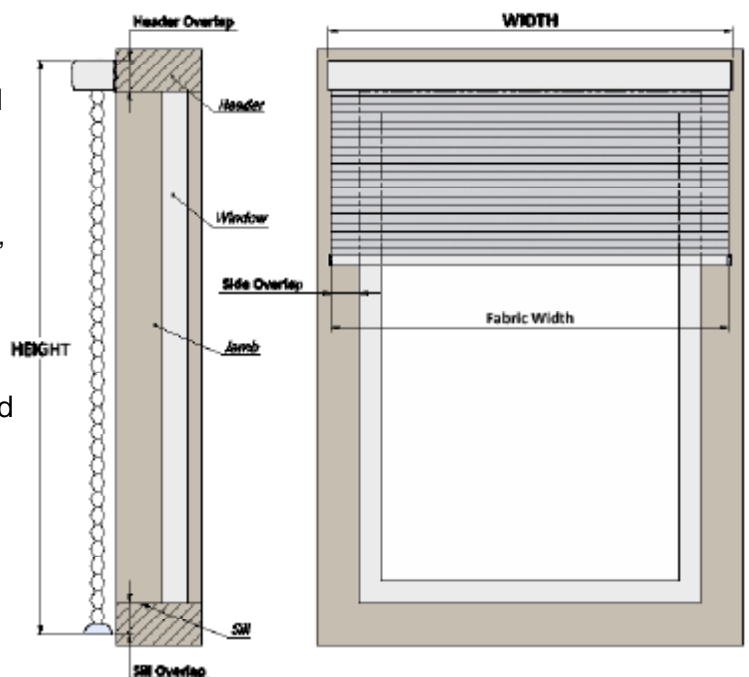
Required order form measurements for **INSIDE MOUNT:**

- Use the smallest horizontal measurement for **WIDTH** (Round down to nearest $\frac{1}{16}$ ")
- Use the largest vertical measurement for **HEIGHT** (Round up to nearest 1")
- Measure and record **DEPTH**. Use the minimum distance from the outside of opening to the window including window mullions if they exist.
- Minimum **DEPTH** of 1 $\frac{1}{2}$ " is required. For fully recessed mounting, a minimum **DEPTH** of 3- $\frac{1}{4}$ " is required.



Required order form measurements for **OUTSIDE MOUNT:**

- Determine **Fabric Width** based on largest horizontal measurement PLUS total desired **Side Overlap**.
- Minimum 4" total **Side Overlap** is recommended.
- Establish **WIDTH** dimension by adding $\frac{7}{16}$ " to the **Fabric Width**. This is the headrail of end cap to end cap.
- Determine **HEIGHT** based on the largest vertical measurement + desired **Header** and **Sill Overlaps**.
- Minimum 2" **Sill Overlap** is recommended.
- Minimum 2" **Header Overlap** is recommended. Mounting bracket requires 1- $\frac{5}{8}$ " minimum flat vertical surface height.



1) Order Name/ Number: Test Account
 2) Address/ POB: Smith Residence
 3) Contact Email for Confirmation: qmotioninfo@communications1.com
 4) New Job or Add On to Existing Job? New / Add (is also applicable)
 5) Please list 3rd party control system (if applicable): Vantage

3D pricing information
 Name: Test Account Phone: _____
 Address: 3400 Copter Rd City: FL State: 32514
 Special Shipping Requests: _____

Date	Quantity	Comm. Protocol* <small>(See Notes Below)</small>	Power Type Battery (B) Manual (M)	Fabric Name/ Number	Width** <small>(Project to Be Installed)</small>	Height Inches	Mount Inside (I) Outside (O)	Head Rail / Bottom Rail Color*** <small>(See Options Below)</small>	Location
1	3	29/02/05	B	82T0117-Star Dust	35	84	O	Brilliant White	Dining Room
2	2	29/02/05	B	82T0118-Pina Colada	22	58	O	Linen White	Bathroom
3	2	29/02/05	B	82T0134-Majestic Violet	45	95	O	Linen White	Master Bedroom
4	1	29/02/05	M	82T0117-Star Dust	20	18	O	Brilliant White	Master Closet
5		29/02/05			110				
6		29/02/05			110				
7		29/02/05			110				
8		29/02/05			110				
9		29/02/05			110				
10		29/02/05			110				

Gen 2 Accessories		Gen 3 Accessories		Important Notes & Information	
# Single Channel Remote _____ # Multi-channel Remote _____ # Programmable Timer Remote _____ # Single Channel Wallplate _____ # Single Channel Double Wallplate _____ # Multi-channel Wallplate _____ # Multi-channel Double Wallplate _____ # Wallplate Adapter _____ # Qsync _____ # Qconnect _____ # Qrelay _____	# Single Channel Qd Remote _____ # Multi-channel Qd Remote _____ # Wallplate _____ # Qsync _____ # Qrelay _____	* Communication Protocols: (22) Micro 2800c HAS2 Specifications, 2-way communication (23) Gen 2 - Standard 3-way communication (24) Gen 3 - proprietary protocol, 3-way communication ** Available for all IM (inside mount) applications. QMotion will take a factory deduction of 1.8" from the bracket to bracket distance on *** Available: Honeywell Bottom Rail Colors: (0) Beige (06) Charcoal Brown (09) Periwinkle (01) Jet Gray (07) Lavender (11) Turquoise (08) Brilliant White (04) Ultra White (12) Cashmere (10) Mid-Night Blue	# Qd1 # Qd2 # Qd3 # Qd4 # Qd5 # Qd6 # Qd7 # Qd8 # Qd9 # Qd10 # Qd11 # Qd12 # Qd13 # Qd14 # Qd15 # Qd16 # Qd17 # Qd18 # Qd19 # Qd20	# Qd1 # Qd2 # Qd3 # Qd4 # Qd5 # Qd6 # Qd7 # Qd8 # Qd9 # Qd10 # Qd11 # Qd12 # Qd13 # Qd14 # Qd15 # Qd16 # Qd17 # Qd18 # Qd19 # Qd20	PLEASE REFER TO THE PRODUCT GUIDES FOR DETAILS ON ALL OPTIONS, INCLUDING DESCRIPTIONS FOR COMMUNICATION OPTIONS DETAILS. Notes: _____



Customer Name/Member

1) Customer Name/Member _____ Phone _____
 2) Member/PCA _____
 3) Contact Email for Communications _____
 4) New Job or Address Being sold? New / Add Amend
 5) Please list any other contact information _____

Return to: (800) 999-4499 Email: qa@qmotion.com

Shipping Information
 Name _____
 Address _____
 City _____ State _____ Zip _____
 Product/Shipping Request: _____

Qty	Part No.	Part Name	Part Description	Part No.	Part Description	Part No.	Part Description	Part No.	Part Description
1	29 / 62 / 700								
2	29 / 62 / 700								
3	29 / 62 / 700								
4	29 / 62 / 700								
5	29 / 62 / 700								
6	29 / 62 / 700								
7	29 / 62 / 700								
8	29 / 62 / 700								
9	29 / 62 / 700								
10	29 / 62 / 700								

Qty	Part No.	Part Name	Part Description	Part No.	Part Description	Part No.	Part Description	Part No.	Part Description
1	29 / 62 / 700								
2	29 / 62 / 700								
3	29 / 62 / 700								
4	29 / 62 / 700								
5	29 / 62 / 700								
6	29 / 62 / 700								
7	29 / 62 / 700								
8	29 / 62 / 700								
9	29 / 62 / 700								
10	29 / 62 / 700								

* Communication Package:
 (C) 1-year 24/7 Support, 2-year maintenance
 (M) 1-year 24/7 Support, 3-year maintenance
 (P) 1-year 24/7 Support, 4-year maintenance
 ** Match - For all health related applications. Clients will not receive a deduction of 10% from the invoice to match elsewhere
 *** Available Monday through Friday only

QMotion Automated Shades

Reference Information



Copyright Notice and Disclaimer

All rights reserved. No parts of this manual may be reproduced in any form without the express written permission of QMotion. QMotion makes no representations or warranties with respect to the contents hereof. In addition, information contained herein are subject to change without notice. Every precaution has been taken in the preparation of this manual. Nevertheless, QMotion assumes no responsibility for errors or omissions or any damages resulting from the use of the information contained in this publication.

© 2016 QMotion is a trademark of QMotion.

Environmental Statement

RoHS COMPLIANT.

WEEE (Waste Electrical and Electronic Equipment) Statement.

Disposal of Waste Equipment by Users in Private Household in the European Union.

This symbol on the product or on its packaging indicates that this product must not be disposed of with your other household waste. Instead, it is your responsibility to dispose of your waste equipment by handing it over to a designated collection point for the recycling of waste electrical and electronic equipment. The separate collection and recycling of your waste equipment at the time of disposal will help to conserve natural resources and ensure that it is recycled in a manner that protects human health and the environment. For more information about where you can drop off your waste equipment for recycling, please contact your local city office, your household waste disposal service or the shop where you purchased the product.



Limited Warranty

QMotion, (the “Manufacturer”) warrants that this QMotion window shade product will be free from defects in materials and workmanship for 5 years, beginning from the date first sold to the commercial or residential consumer who has, or intends to, use the product, as evidenced by such consumer’s proof of purchase:

Exclusions From this Limited Warranty: This limited warranty shall be null and void and no part of it shall apply if any one of the following occur: 1) the product has not been properly installed by a qualified installer in accordance with all Manufacturer specifications; 2) the product has been subject to unauthorized service; 3) the product has been subject to mis-handling, misuse, or abuse; 4) the product has been modified; 5) the product has suffered damage resulting from lightning, power surges, vandalism, fire, earthquake, acts of nature, or any other cause which the product was not designed to withstand; 6) the product has been used, or attempted to be used, for other than the customary usage or for other than the product’s intended use; 7) the product has not been maintained; 8) damage to the product caused by battery decay or corrosion.

This Limited Warranty extends only to the original owner. This Limited Warranty is not transferable. This Limited Warranty does not cover normal wear or tear or deterioration which occurs with the passage of time.

Batteries originally provided with a new product, if any, are produced by a third party and are not warranted by Manufacturer.

No employee, distributor, dealer, agent or representative is authorized to change the terms of this Limited Warranty in any way, to extend the warranty time periods, or to grant additional warranties, and no attempt to do any of the foregoing will be binding upon Manufacturer.

IF THIS LIMITED WARRANTY COVERS A CONSUMER PRODUCT, AS DEFINED BY THE MAGNUSON-MOSS WARRANTY ACT, THEN NO WARRANTIES, EXPRESSED OR IMPLIED (INCLUDING, BUT NOT LIMITED TO, THE WARRANTY OF MERCHANTABILITY OR FITNESS FOR A PARTICULAR PURPOSE) SHALL EXTEND BEYOND THE APPLICABLE TIME PERIOD STATED IN BOLD FACE TYPE ABOVE. IF THIS LIMITED WARRANTY COVERS A COMMERCIAL PRODUCT, THEN THIS LIMITED WARRANTY IS IN LIEU OF ALL OTHER REPRESENTATIONS, GUARANTEES, OR OTHER EXPRESS OR IMPLIED WARRANTIES (INCLUDING, WITHOUT LIMITATION, THE WARRANTY OF MERCHANTABILITY OR FITNESS FOR A PARTICULAR PURPOSE) AND ALL SUCH OTHER EXPRESSED OR IMPLIED WARRANTIES ARE HEREBY SPECIFICALLY DISCLAIMED.

Claims for defects in material and workmanship covered by this Limited Warranty must be made in writing to the dealer from whom the product was originally first purchased within the warranty period stated above. Manufacturer may either send a service representative or have the product returned to Manufacturer’s facility, at Buyer’s expense, for inspection. If judged by Manufacturer to be defective in material or workmanship, and to otherwise be covered by this Limited Warranty, the product will be replaced or repaired at the option of Manufacturer, in its sole and absolute discretion, free from all charges except authorized



transportation and replacement labor. Replacement labor, transportation costs, and any other costs or charges by the dealer, wholesaler, distributor, contractor, or installer are not covered by this Limited Warranty. Any replacement unit may be a model determined by Manufacturer to be equivalent to the defective model, or a product that has been factory refurbished. The remainder of original warranty period will apply to any repair/replacement unit.

THE REMEDIES OF BUYER SET FORTH IN THIS LIMITED WARRANTY ARE EXCLUSIVE AND ARE IN LIEU OF ALL OTHER REMEDIES. THE LIABILITY OF MANUFACTURER WHETHER IN CONTRACT, TORT, UNDER ANY WARRANTY OR OTHERWISE, SHALL NOT EXTEND BEYOND ITS OBLIGATION TO REPAIR OR REPLACE, AT ITS OPTION, ANY PRODUCT OR PART FOUND BY MANUFACTURER TO BE DEFECTIVE IN MATERIAL OR WORKMANSHIP AND OTHERWISE SUBJECT TO THIS LIMITED WARRANTY. MANUFACTURER SHALL NOT BE RESPONSIBLE FOR ANY DIRECT, INDIRECT, SPECIAL OR CONSEQUENTIAL DAMAGES OF ANY NATURE.

This Warranty gives specific legal rights and Buyer may have other rights, which may vary from state to state. However, some states do not allow limitations on how long an implied warranty lasts or the exclusion or limitation of incidental or consequential damages so the above limitations or exclusions may not apply specific buyers.

3400 Copter Road
Pensacola, FL 32514
Ph: 877.849.6070
Fax: 850.208.3409
qmotioninfo@qmotionshades.com

qmotionshades.com

